

SOLARTECH POWER

SPM080P/085P-W

SPECIFICATIONS

CELL	Multicrystalline silicon solar cell	156mmx52mm
No. of cells and connections	68(4x17)	
Dimension of module	1014x669x35(mm)	39.9x26.3x1.38 (in)
Weight	9kg	19.81b

Characteristics

Model	SPM080P	SPM085P
Power at STC(Pm)	80W	85W
Maximum power voltage(Vpm)	34.0V	34.5V
Maximum power current(Ipm)	2.37A	2.48A
Open circuit voltage(Voc)	41.5V	42.1V
Short circuit current(Isc)	2.55A	2.62A
Tolerance	± 5%	± 5%
Module efficiency	11.8%	12.6%

STC: Temperature 25°C, Irradiance 1000W/m², AM=1.5

Limits

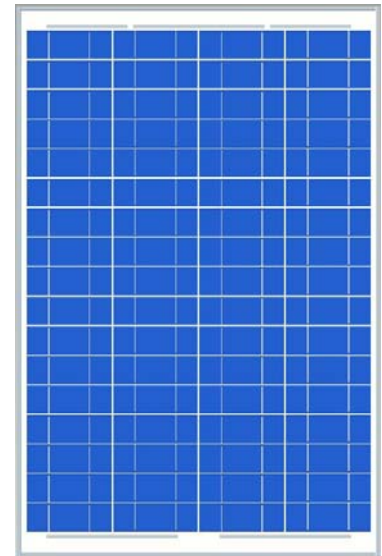
Operating temperature	-40 to +85°C
Maximum system voltage	1000V DC
Series fuse rating	12A

Components & Mechanical Data

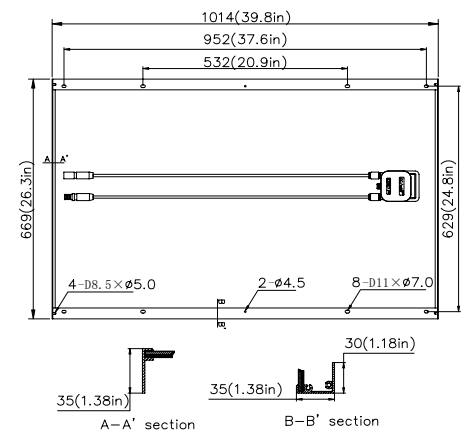
Front Glass	3.2mm tempered
Junction Box	IP-65 rated
Frame	Anodized aluminum alloy type 6063-T5
Encapsulation Material	EVA(0.5±0.05mm thickness)
Back Foil	White TPT(0.32±0.03mm thickness)
Temperature Range	-40°C to +90°C
Max Load	5400Pa

Temperature coefficient

Nominal Operation Cell Temperature	48°C±2°C
Current temperature coefficient	0.06±0.01 %/K
Voltage temperature coefficient	- (78±10) mv/k
Power temperature coefficient	- (0.5±0.05) %/k



Back of the module



IV CURVES

