

# SOLARTECH POWER

## SPM120P/125P-W

### SPECIFICATIONS

|                              |                                     |                      |
|------------------------------|-------------------------------------|----------------------|
| CELL                         | Multicrystalline silicon solar cell | 156mmx52mm           |
| No. of cells and connections | 68(4x17)                            |                      |
| Dimension of module          | 1482x676x50(mm)                     | 58.3x26.6x1.97 (in ) |
| Weight                       | 12kg                                | 26.51b               |

### Characteristics

| Model                      | SPM120P | SPM125P |
|----------------------------|---------|---------|
| Power at STC(Pm)           | 120W    | 125W    |
| Maximum power voltage(Vpm) | 33.5V   | 34V     |
| Maximum power current(Ipm) | 3.6A    | 3.75A   |
| Open circuit voltage(Voc)  | 41.2V   | 41.5V   |
| Short circuit current(Isc) | 3.9A    | 4.0A    |
| Tolerance                  | ± 5%    | ± 5%    |
| Module efficiency          | 11.98%  | 12.47%  |

STC: Temperature 25°C, Irradiance 1000W/m<sup>2</sup>, AM=1.5

### Limits

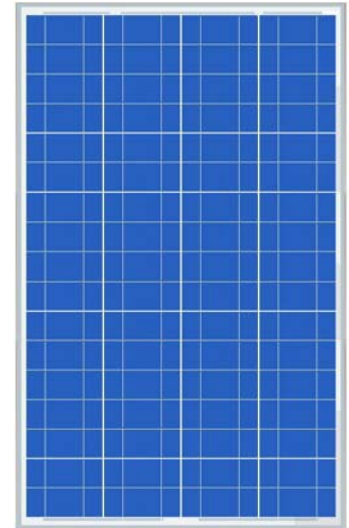
|                        |              |
|------------------------|--------------|
| Operating temperature  | -40 to +85°C |
| Maximum system voltage | 1000V DC     |
| Series fuse rating     | 12A          |

### Components & Mechanical Data

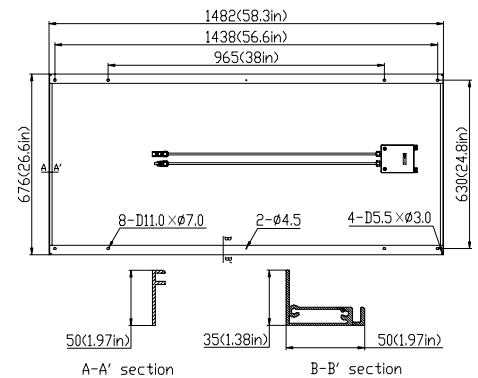
|                        |                                      |
|------------------------|--------------------------------------|
| Front Glass            | 3.2mm tempered                       |
| Junction Box           | IP-65 rated                          |
| Frame                  | Anodized aluminum alloy type 6063-T5 |
| Encapsulation Material | EVA(0.5±0.05mm thickness)            |
| Back Foil              | White TPT(0.32±0.03mm thickness)     |
| Temperature Range      | -40°C to +90°C                       |
| Max Load               | 5400Pa                               |

### Temperature coefficient

|                                    |                  |
|------------------------------------|------------------|
| Nominal Operation Cell Temperature | 48°C±2°C         |
| Current temperature coefficient    | 0.06±0.01 %/K    |
| Voltage temperature coefficient    | - (78±10) mv/k   |
| Power temperature coefficient      | - (0.5±0.05) %/k |



Back of the module



### IV CURVES

