

Grundfos MS 6000

6" all stainless steel motor

MS 6000 Features and Benefits

- Tungsten Carbide/Ceramic Mechanical Shaft Seal
- Range of motors from 7.5 - 40HP 3PH
- Corrosion Resistant All Stainless Steel Exterior Construction
- Stainless Steel Spline Shaft
- Stator Windings Hermetically Encapsulated in Stainless Steel
- Water Lubricated
- Internal Water Circulation System Enhances Motor Cooling
- Rated up to 104 Degrees F with .5 ft./sec. Flow Past Motor
- Michell Type Carbon/Ceramic Thrust Bearing
- Pressure Equalization Diaphragm
- Sand Slinger
- Epoxy Coated Bearing Support
- Equipped with Tempcon Temperature Sensor as Standard
- Works with MTP 75 and CU3 Motor Protection System
- Replaceable Motor Lead
- NEMA Mounting Dimensions

Construction Material Specification

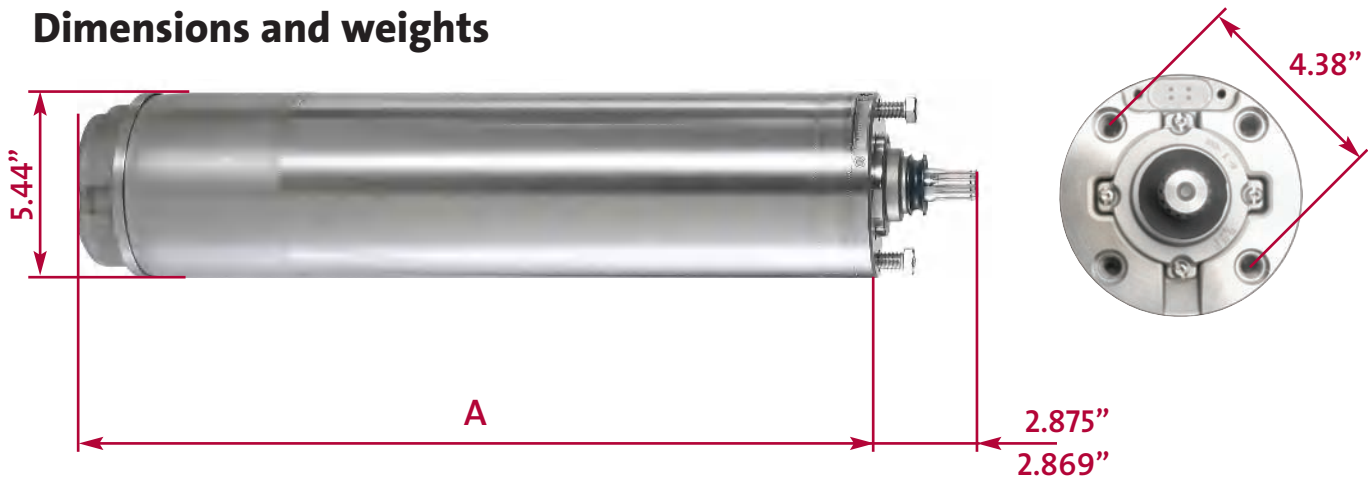
Seal	Tungsten Carbide/Ceramic
Stator	304 SS
End Bells	304 SS
Seal Retainer	304 SS
Diaphragm	NBR rubber
Sand Slinger	NBR rubber
Lead	PUR / 316 SS
Filter	316 SS
Cable	EPR, Hypalon / XLPE ground
Shaft	S32205, Duplex SS



Availability Three-Phase, 60Hz

HP	MAX AMPS	VOLTS	HZ	SERVICE FACTOR	DOWN TRUST
7.5	27.5	208/230	60	1.15	4.4kN
	13.2	440/460	60	1.15	1000 lbs
10	36.5	208/230	60	1.15	19.6kN
	17.4	440/460	60	1.15	4400 lbs
15	54.0	208/230	60	1.15	19.6kN
	25.5	440/460	60	1.15	4400 lbs
20	70.0	208/230	60	1.15	19.6kN
	33.5	440/460	60	1.15	4400 lbs
25	88.0	208/230	60	1.15	19.6kN
	42.0	440/460	60	1.15	4400 lbs
30	101	208/230	60	1.15	19.6kN
	48.0	440/460	60	1.15	4400 lbs
40	66.5	440/460	60	1.15	19.6kN
					4400 lbs

Dimensions and weights



HP	PHASE	FREQUENCY (Hz)	A (Inches)	NEW WEIGHT (Lbs.)
7.5	3	60	21.4	73.8
10	3	60	22.6	81.5
15	3	60	25.0	100.3
20	3	60	27.5	115.7
25	3	60	29.7	127.8
30	3	60	32.0	141.1
40	3	60	37.2	170.8

L-MS-SL-001 | 9/04
PRINTED IN USA

*Based on shipment in standard box.