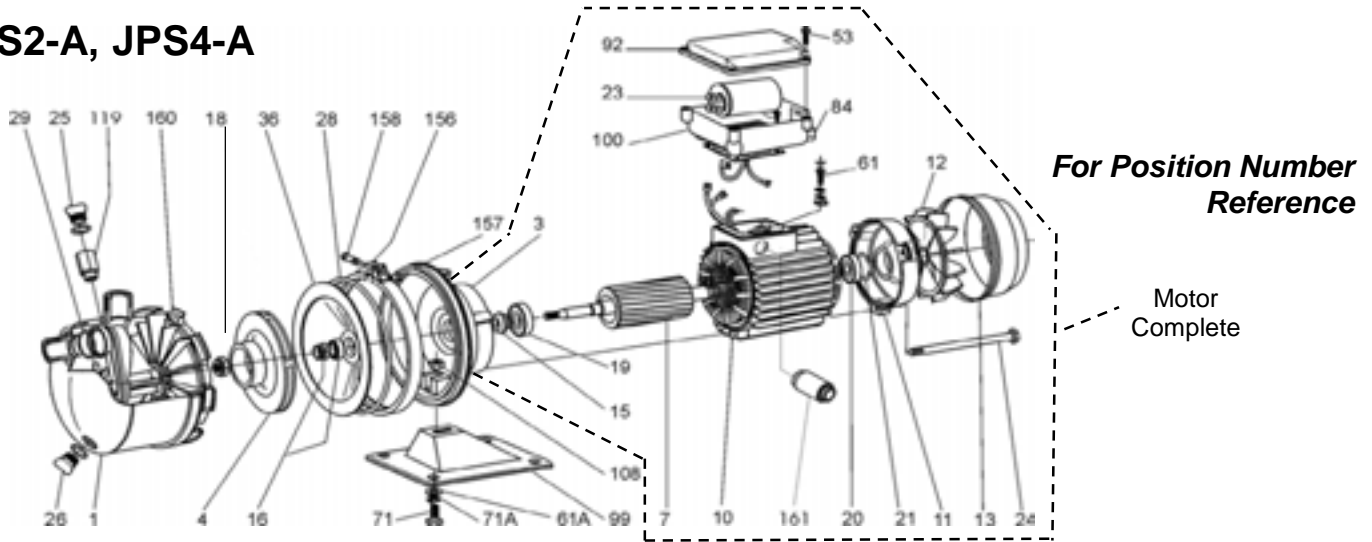
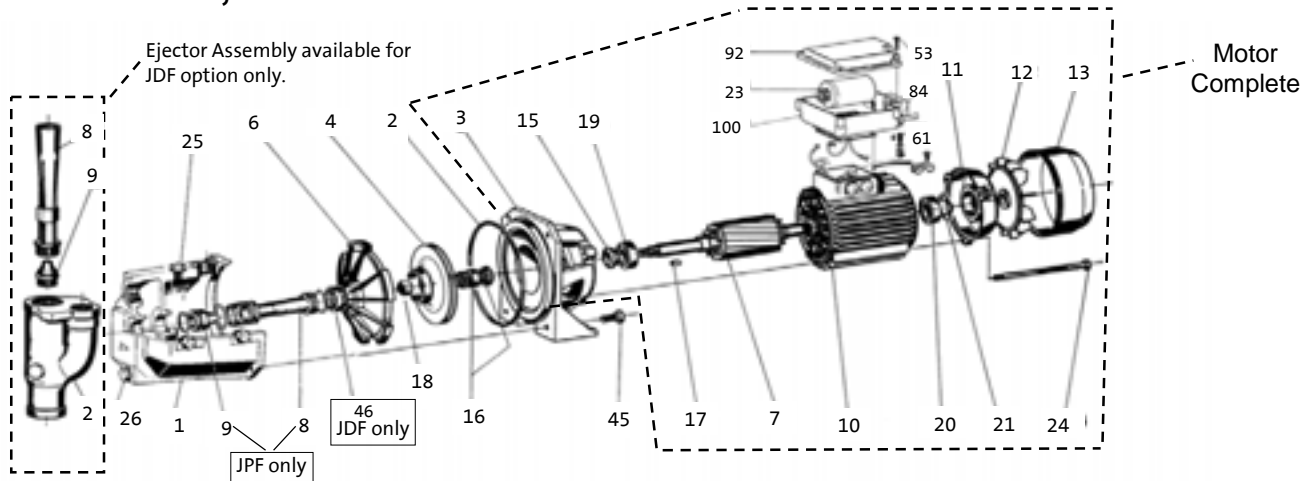


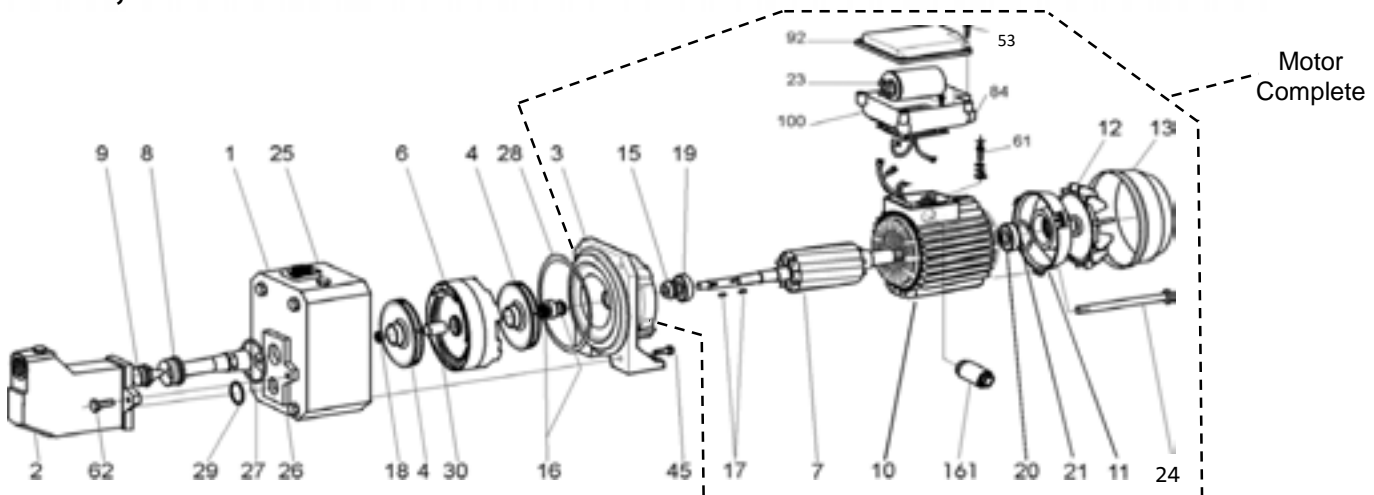
JPS2-A, JPS4-A



JPF3-A & 4-A, JDF2-A & 4-A



JPF5, JPF7



NOTES: Some referenced position numbers may not be available as individual items (see complete kit).
For contents of kits, see the Grundfos Product Center.

BASIC LINE JET PUMP
Spare Parts

GRUNDFOS PRICE LIST
EFFECTIVE DATE: MARCH 19, 2018

MATERIAL NUMBER	POS. NO.	DESCRIPTION	LIST PRICE (\$)
96415621	4	Impeller, JPF3-A	32.00
96415617	4	Impeller, JPF4-A, JDF4-A, JPF7-A	41.00
96415616	4	Impeller, JPF5-A, JDF2-A	41.00
96433736	4	Impeller, JPS2-A	36.00
96433737	4	Impeller, JPS4-A	47.00
96407996	6	Diffuser, JPF2-A	19.00
96407997	6	Diffuser, JPF3-A, 4-A, JDF2-A	21.00
96407998	6	Diffuser, JPF5-A, JPF7-A	40.00
96408348	8	Venturi E30, JDF2-A, 4-A	16.00
96408349	8	Venturi E25, JDF2-A, 4-A	24.00
96408002	8/9/28	Ejector/Nozzle, JPF 3-A	20.00
96408004	8/9/28	Ejector/Nozzle, JPF4-A	22.00
96408939	8/9/27/29	Ejector/Nozzle, JPF5-A	30.00
96408350	9	Nozzle, JDF2-A, 4-A	14.00
96408047	12	Fan, JPF2-A, JPF3-A, JPS2-A	10.00
96408048	12	Fan, JPF4-A, JDF2-A, JDF4-A, JPS4-A	19.00
96408049	12	Fan, JPF5-A	12.00
96408050	13	Fan Cover, JPF2-A, JPF3-A, JPS2-A	20.00
96408051	13	Fan Cover, JPF4-A, JDF2-A, JDF4-A, JPS4-A	23.00
96408052	13	Fan Cover, JPF5-A, JPF7-A	39.00
96407924	16	Shaft Seal for JPF3-A, JPS2-A, 4A	26.00
96407925	16	Shaft Seal for JDF2-A, JPF3-A, JPF4-A, JPF5-A & JPF7-A	20.00
96407991	18	Locking Nut (M10), JPF4-A, 5-A, JDF2-A, 4-A, JPF7-A	10.00
96426925	23	Capacitor, 50uF/450vac, 115 Volt-JPF3-A, JDF2-A, JPS2-A	44.00
96426926	23	Capacitor, 64uF/450vac, 115 Volt-JPF4-A	49.00
96426927	23	Capacitor, 80uF/450vac, 115 Volt-JPS4-A	57.00
96426920	23	Capacitor, 12.5uF/450vac, 230 Volt, JPF3-A, JDF2-A, JPS2-A	16.00
96426922	23	Capacitor, 16uF/450vac, 230 Volt, JPF4-A	16.00
96433774	23	Capacitor, 31.5uF/450vac, 230 Volt, JPF5-A	23.00
96426923	23	Capacitor, 20uF/450vac, 230 Volt, JPS4-A	19.00
96433776	25/26	Plug, JPS2-A, 4-A	10.00
96408358	28	Pump Body O-Ring, JPF3-A, 4-A, JDF2-A, 4-A	10.00
96408359	28	Pump Body O-Ring, JPF5-A, JPF7-A	10.00
96433778	28	Pump Body O-Ring, JPS2-A, 4-A	10.00
96433781	29	Diffuser O-Ring, JPS2-A	10.00
96408372	30	Spacer, JPF5-A, JPF7-A	10.00
96433785	36	Seal Plate, JPS2-A, 4-A	16.00
96415688	92	Terminal Box Cover, JPF3 & 4-A, JPS & JDF2 & 4-A	20.00
96433786	99	Foot Bracket, JPS2-A, 4-A	44.00
96433787	156/157/158	Body Support, Complete, JPS2-A, 4-A	96.00
96433788	160	Nozzle-Venturi-Diffuser, JPS2-A	57.00
96433789	160	Nozzle-Venturi-Diffuser, JPS4-A	57.00

MATERIAL NUMBER	DESCRIPTION	LIST PRICE (\$)
Hydraulic		
98288772	Kit Hydraulic JP05S-CI and JP05S-SS	90.00
98288827	Kit Hydraulic JP07S-CI and JP07S-SS	97.00
98288830	Kit Hydraulic JP10S-CI and JP10S-SS	105.00
98288842	Kit Hydraulic JP15S-CI	230.00
98288846	Kit Hydraulic JP20S-CI	235.00
98288848	Kit Hydraulic JP30S-CI	230.00
98288758	Kit Hydraulic JP05D-CI	75.00
98288824	Kit Hydraulic JP07D-CI	78.00
98288841	Kit Hydraulic JP15D-CI	147.00
98288845	Kit Hydraulic JP20D-CI	142.00
Drain/Prime Plugs		
98288867	Kit Plug 1/2, 3/4, 1HP	59.00
98288904	Kit Plug 1-1/2, 2, 3HP	69.00
Shaft Seal + Impeller		
98288909	Kit Shaft Seal JP05S-CI and JP05S-SS	100.00
98288907	Kit Shaft Seal JP05D-CI and JP07S-CI/SS	105.00
98288931	Kit Shaft Seal JP07D-CI and JP10S-CI/SS	120.00
98288932	Kit Shaft Seal 1-1/2HP	170.00
98288934	Kit Shaft Seal 2HP	165.00
98288935	Kit Shaft Seal JP30S-CI	155.00
Pressure Switch Hose		
98289897	Kit PS Hose CI 1/2, 3/4, 1HP	120.00
98289935	Kit PS Hose CI 1-1/2, 2, 3HP	125.00
98289931	Kit PS Hose SS 1/2, 3/4, 1HP	92.00
Terminal Box Cover		
98059738	Kit Term Box Cover 1/2HP	142.00
98059736	Kit Term Box Cover 3/4HP	246.00
98059737	Kit Term Box Cover 1HP	330.00
98059739	Kit Term Box Cover 1-1/2HP	133.00
98291516	Kit Term Box Cover 2 and 3HP	165.00
Fan + Fan Cover		
98289939	Kit Fan and Fan Cover 1/2HP	61.00
98289942	Kit Fan and Fan Cover 3/4, 1HP	68.00
98289944	Kit Fan and Fan Cover 1-1/2, 2, 3HP	91.00
Motor Stand		
98296753	Kit Motor Stand 1/2HP	200.00
98296755	Kit Motor Stand 1-1/2, 2HP	310.00
98296756	Kit Motor Stand 3HP	274.00
98296754	Kit Motor Stand 3/4, 1HP	215.00
Pressure Switch		
98296792	Pressure Switch All Models	47.00
Dual Voltage Block		
98296793	Dual Voltage Block 1/2, 3/4, 1HP	60.00
Capacitor		
98298105	Spare Capacitor 50uF 250V 1/2, 3/4HP	115.00
98298109	Spare Capacitor 80uF 250V 1HP	130.00
98298114	Spare Capacitor 31.5uF 450V 1-1/2HP	115.00
98298117	Spare Capacitor 40uF 450V 2, 3HP	122.00