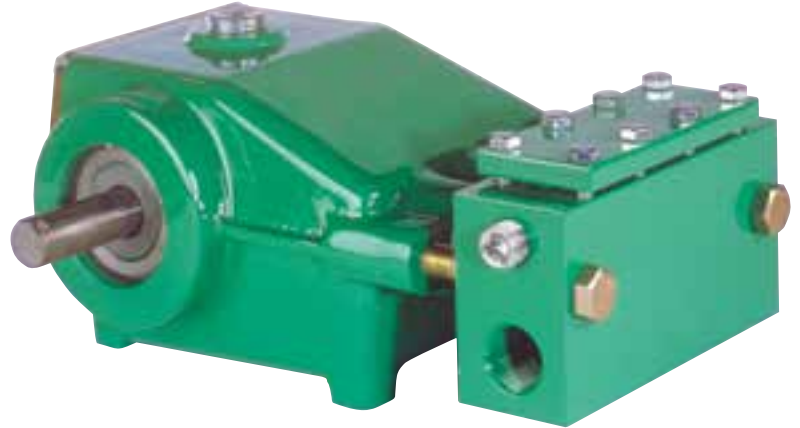


MYERS® MODEL BXM High Pressure Reciprocating Pump

Understanding Your Needs

The Myers BXM series combines manufacturing expertise and understanding of applications to provide a pump with strength and versatility for any demanding high-pressure job.

Contact your Pentair sales representative or customer service at 419-289-1144 for more details.



Wide Performance Range

- 3–8 gpm (11.4–30.3 lpm)
- Up to 1500 psi (103.4 bar)

Rugged design for continuous operation

- Solid one-piece cast iron power end.
- Extra-large oil sump for superior lubrication.
- Steel fluid end or optional aluminum bronze for long, corrosion-resistant life.

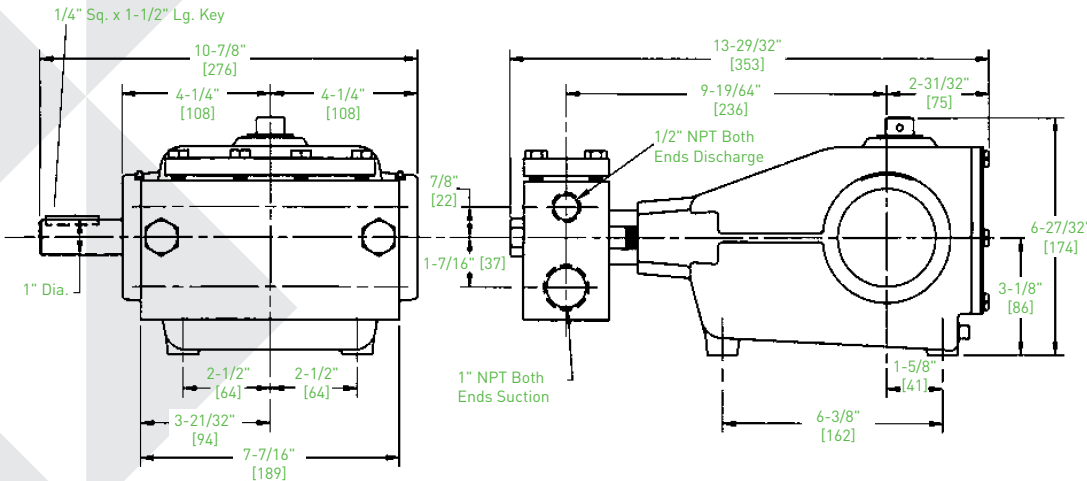
Designed for Simple, Routine Maintenance

- Easy access to suction and discharge valves – no need to remove pump from system.

Whisper Quiet Operation

- Oversized spherical suction and discharge valves allow complete filling of cylinder.

Dimensional Data [Dimensions in mm]



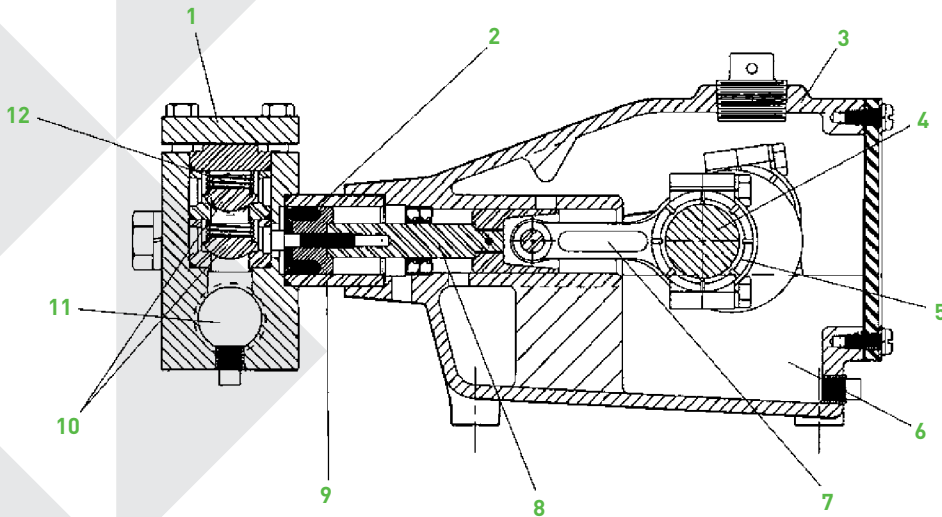
Product Capabilities, Specifications

Catalog Number	Max. Rated Capacity	Max. Rated Pressure	Temp. Rating °F (°C)	Approx. Weight lbs. (kg)	Sizes in inches (mm)					
					Cylinder Bore	Piston Stroke	Suction Size NPT	Discharge Size NPT	Input Shaft	Keyway
BXM6-15	8 gpm 30.3 lpm	1500 psi 103.4 bar	140 (60)	60 (27.2)	1 (25.4)	1-1/16 (26.99)	1 (25.4)	1/2 (12.7)	1 (25.4)	1/4 x 1/8 (6.35 x 3.18)

Note: Consult factory for applications outside of these recommendations.

Fluid End

1. **Body** – Steel monoblock optional aluminum-bronze.
2. **Piston Assembly** – Fabric reinforced nitrile V-ring with aluminum-bronze piston.
3. **Body** – Solid one-piece, cast iron crankcase. Acrylic window for oil level monitoring.
4. **Crankshaft** – Automotive-type ductile iron. Standard is right-hand drive. Left-hand drive available.
5. **Main Bearings** – Ball bearings for crankshaft.
6. **Continuous Splash Lubrication.**
7. **Connecting Links** – High-strength zinc alloy for durability.
8. **Crossheads** – High-strength zinc alloy.
9. **Cylinder Liners** – Alumina-ceramic.
10. **Valve Assemblies** – Three-piece stainless steel for less maintenance.
11. **Inlet** – 1" NPT both sides.
12. **Discharge** – 1/2" NPT both sides.



Horsepower Requirements

		BXM						
GPM [LPM]	RPM	Horsepower required for psi [bar]:						
		200 psi [14]	400 psi [28]	600 psi [42]	800 psi [56]	1000 psi [70]	1200 psi [83]	1500 psi [103]
3 [11.4]	300	0.4	0.9	1.3	1.8	2.2	2.7	3.3
4 [15.1]	400	0.6	1.2	1.8	2.4	3.0	3.6	4.4
5 [18.9]	500	0.7	1.5	2.2	3.0	3.7	4.4	5.6
6 [22.7]	600	0.9	1.8	2.7	3.6	4.4	5.3	*NR
8 [30.3]	700	1.0	2.1	3.1	4.2	5.2	6.2	*NR

*Not recommended. Consult factory for requirements beyond published performance data.
Power based on 85% mechanical efficiency. Displacement is based on 100% volumetric efficiency.



740 EAST 9TH STREET,
ASHLAND, OHIO 44805
WWW.FEMYERS.COM

490 PINEBUSH ROAD, UNIT 4,
CAMBRIDGE, ONTARIO N1T 0A5
WWW.FEMYERS.COM

Because we are continuously improving our products and services, Pentair reserves the right to change specifications without prior notice.
K3235 01/06/14 © 2014 Pentair. All Rights Reserved.