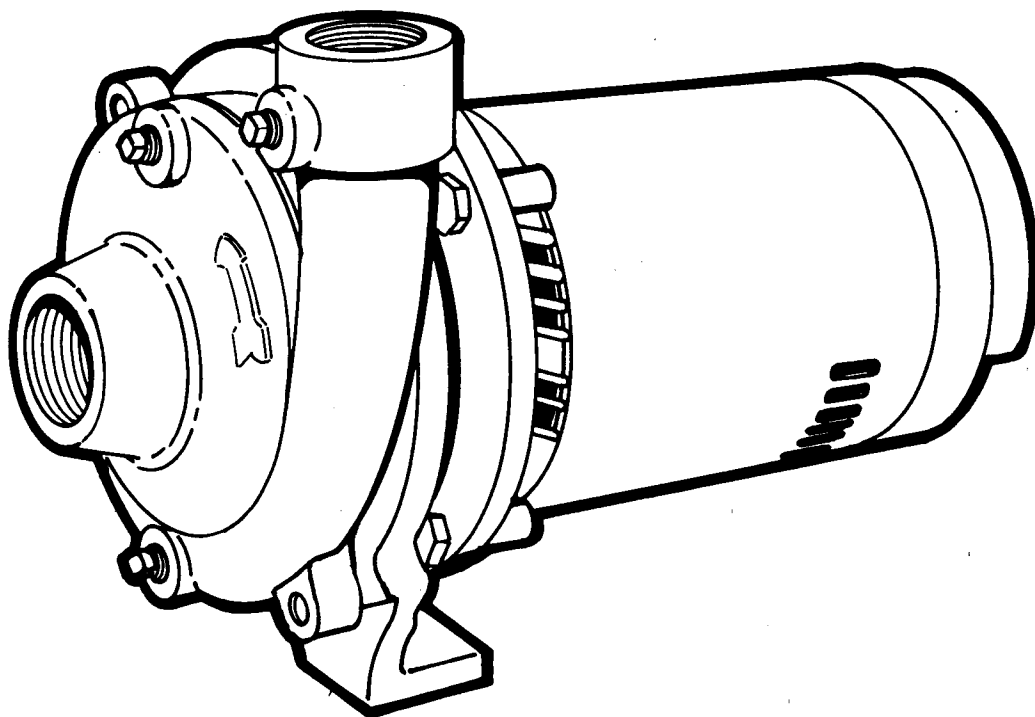


Centri-Thrift Centrifugal Pumps

**PARTS LIST
FOR MODELS 100M,
125M, 150M, AND 200M
1/3, 1/2, 3/4, 1
1-1/2, 2, 3 AND 7-1/2 HP
SINGLE AND THREE PHASE**



Centri-Thrift Centrifugal Pump Parts List

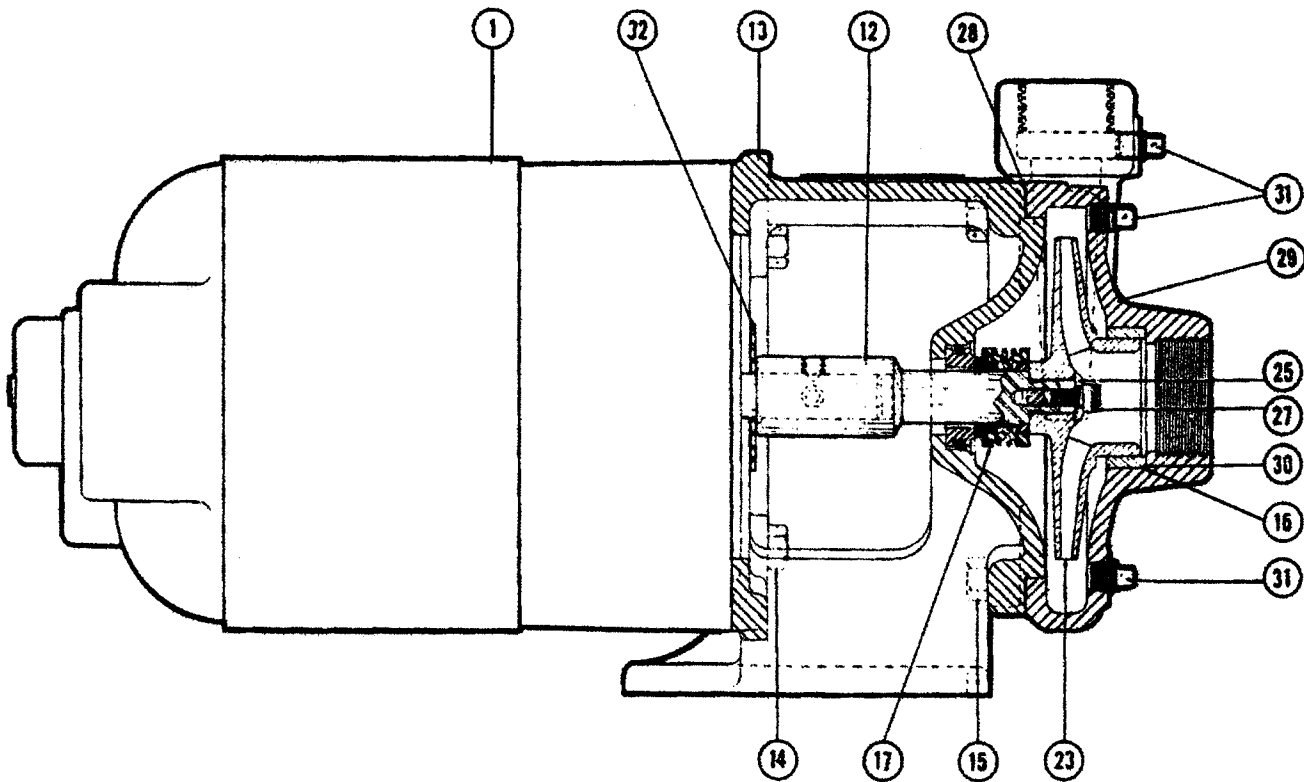
Motor Mounted – 60 Hz – Rotary Seal

1/3, 1/2, 3/4 & 1 HP – 3450 RPM – Single & Three Phase

Serial Nos. 353, 953 & 754 plus Year Made

Catalog Numbers 100M-1/3, 100M-1/2, 100M-3/4 & 100M-1

1 1/4" Suction – 1" Discharge



Centri-Thrift Centrifugal Pump Parts List

Motor Mounted - 60 Hz - Rotary Seal

1/3, 1/2, 3/4 & 1 HP - 3450 RPM - Single & Three Phase

Serial Nos. 353, 953 & 754 plus Year Made

Catalog Numbers 100M-1/3, 100M-1/2, 100M-3/4 & 100M-1

1 1/4" Suction - 1" Discharge

Pump Name Plate Catalog Number Horsepower			100M-1/3 1/3	100M-1/2 1/2	100M-3/4 3/4	100M-1 1
Ref. No.	Description	No. Req'd.	Part No.	Part No.	Part No.	Part No.
1	Motor, 3450 RPM, 60 Hz, Single Phase, AC, 115/230 Volt, Serial No. 353	1				*
1	Motor, 3450 RPM, 60 Hz, Single Phase, AC, 115/230 Volt, Serial Nos. 353 & 953	1		11537A000	11574A000	
1	Motor, 3450 RPM, 60 Hz, Single Phase, AC, 115/230 Volt, Serial No. 953	1				11578A000
1	Motor, 3450 RPM, 60 Hz, Single Phase, AC, 115 Volt, Serial Nos. 353, 953 & 754	1	11676A000			
1	Motor, 3450 RPM, 60 Hz, Single Phase, AC, 115/230 Volt, Serial No. 754	1	12231A000			
1	Motor, 3450 RPM, 60 Hz, Three Phase, AC, 208-220/440 Volt, Serial No. 353	1				*
1	Motor, 3450 RPM, 60 Hz, Three Phase, AC, 230/460 Volt, Serial No. 353 & 953	1			20048A000	
1	Motor, 3450 RPM, 60 Hz, Three Phase, AC, 230/460 Volt, Serial No. 953	1		20047A000		20049A000
1	Motor, 3450 RPM, 60 Hz, Three Phase, AC, 230/460 Volt, Serial No. 754	1	20046A000			
1	Motor, 3450 RPM, 115 Volt Direct Current, Serial No. 353	1		*		
1	Motor, 3450 RPM, 230 Volt Direct Current, Serial No. 353	1		*		12237A000
12	Pump Shaft Assembly, AC, Serial No. 353	1	09037A003	09037A003	09037A003	08697A003
12	Pump Shaft Assembly, AC, Serial No. 953	1	09037A003	09037A003	09037A003	09037A003
12	Pump Shaft Assembly, AC, Serial No. 754	1	09037A003			
12	Pump Shaft Assembly, Direct Current Motors, Serial No. 353	1		09037A003		09037A003
	Set Screws for Shaft Assembly, 3/16"-18NC, 3/16" long	2	05013A015	05013A015	05013A015	05013A015
13	Bracket	1	11069D000	11069D000	11069D000	11069D000
14	Cap Screw, 3/8"-16NC, 1-1/8" long, bracket to motor	4	19101A016	19101A016	19101A016	19101A016
15	Cap Screw, 3/8"-16NC, 1-1/8" long, bracket to case	4	19101A016	19101A016	19101A016	19101A016
16	Wearing Ring-For Units w/Wearing Ring	1	11072A000	11072A000	11072A000	11072A000
17	Shaft Seal	1	11416A010	11416A010	11416A010	11416A010
23	Impeller	1	11070B001	11070B000	11070B001	11070B000
25	Washer, Special	1	10186A000	10186A000	10186A000	10186A000
27	Cap Screw, 1/4"-28NF, 3/4" long, knurled	1	06106A004	06106A004	06106A004	06106A004
28	Gasket, 6" O.D., 5" I.D., 7/64" thick. Case to bracket	1	05059A312	05059A312	05059A312	05059A312
29	Volute Case	1	11071D001	11071D001	11071D001	11071D001
31	Pipe Plug, 1/8" pipe	4	05022A000	05022A000	05022A000	05022A000
32	Deflector, Rubber, for 5/8" motor shaft	1	05059A318	05059A318	05059A318	05059A318

* NOT AVAILABLE. Order next available motor with corresponding shaft assembly.

Centri-Thrift Centrifugal Pump Parts List

Single & Three Phase – Rotary Seal or Stuffing Box
Serial Nos. 654, 756, 157 & 974 plus Year Made

Catalog Numbers 125M-1½, 125M-2 and 125M-3

1½" Suction – 1¼" Discharge

Pump Name Plate Catalog Number Horsepower			125M-1½ 1½	125M-2 2	125M-3 3
Ref. No.	Name of Part	No. Req.	Part No.	Part No.	Part No.
1	Motor. See Chart below with corresponding Pump Shaft Assembly and Bracket.	1			
12	Pump Shaft Assembly. See Chart below with corresponding Motor and Bracket.	1			
13	Bracket. See Chart below with corresponding Motor and Pump Shaft Assembly.	1			
	Set Screw for Shaft Assembly, Single Phase Motor	2	5013A15	5013A15	6024A1
	Set Screw for Shaft Assembly, Three Phase Motor	2	5013A15	5013A15	5013A15
14	Cap Screw, Bracket to Motor, ¾" – 16 NC x 1½"	4	19101A16	19101A16	19101A16
14	Cap Screw, Bracket to Motor, ½" – 13 NC x 1¼"	4			19103A4
14	Cap Screw, Bracket to Motor, ¾" – 16 NC x 1"	4			19101A13
15	Cap Screw, Bracket to Case, ¾" – 16 NC x 1½"	8	19101A16	19101A16	19101A16
16	Lockwasher, ¾"	12	5454A7	5454A7	5454A7
16	Lockwasher, ½"	4			5454A4
17	Shaft Seal	1	11716A1	11716A1	11716A1
18	Packing for Stuffing Box	1	7924A21	7924A21	7924A21
19	Gland for Stuffing Box	1	8811B1	8811B1	8811B1
20	Clip for Gland	2	8825A	8825A	8825A
21	Stud for Stuffing Box	2	5659A6	5659A6	5659A6
22	Nut for Studs	2	19109A21	19109A21	19109A21
23	Impeller	1	11725B1	11725B2	11725B3
24	Key for Impeller	1	5818A25	5818A25	5818A25
25	Washer, Special	1	11718A	11718A	11718A
26	Lockwasher, 5/16"	1	5454A14	5454A14	5454A14
27	Cap Screw, Stainless Steel	1	19100A4	19100A4	19100A4
28	Gasket, Case to Bracket	1	5863A13	5863A13	5863A13
29	Volute Case	1	11726D1	11726D1	11726D1
	Wearing Ring – For Units w/Wearing Ring	1	11720A	11720A	11720A
31	Pipe Plug, 1/8"	4	5022A4	5022A4	5022A4
	Pipe Plug, 1/4"	1	5022A9	5022A9	5022A9
32	Deflector, Rubber, for 5/8" Shaft	1	5059A318	5059A318	5059A318
32	Deflector, Rubber for 7/8" Shaft	1		5059A320	5059A320
32	Deflector, Rubber, for 1 1/8" Shaft	1			5059A321

	Motor Horsepower	1½	1½	2	2	2	2	3	3	3	3	3
	Pump Serial Number	654	654	654	654	756	756	654	654	157	974	974
1	Motor Number	11708A	20050A	†	‡	13229A	20051A	18935A	*	18937A	21206A	21207A
	Voltage	115/230	220/440	115/230	220/440	115/230	220/440	115/230	220/440	220/440	115/230	230/460
	Phase	Single	Three	Single	Three	Single	Three	Single	Three	Three	Single	Three
	Motor Bolt Circle	5 7/8"	5 7/8"	5 7/8"	5 7/8"	5 7/8"	5 7/8"	7 1/4"	7 1/4"	5 7/8"	5 7/8"	5 7/8"
	Motor Shaft Diameter	5/8"	5/8"	7/8"	7/8"	5/8"	5/8"	1 1/8"	7/8"	7/8"	5/8"	5/8"
12	Shaft, Rotary Seal	11714B1	11714B1	11723B1	11723B1	11714B1	11714B1	11914B1	11916B1	11916B1	11714B1	11714B1
12	Shaft, Stuffing Box	11721B1	11721B1	11724B1	11724B1	11721B1	11721B1	11915B1	11917B1	11917B1		
13	Bracket, Rotary Seal	11715D	11715D	11715D	11715D	11715D	11715D	11912D	11912D	13421D	11715D	11715D

*Motor No. 11713A NOT AVAILABLE. Order Motor No. 18937A with Bracket listed under Motor No. 18937A, Four Cap Screws Part 5824A12, Four Lockwashers Part 5454A7 and Deflector Part 5059A320.

†Order Motor No. 13229A and Shaft listed under Motor No. 13229A.

‡Order Motor No. 20051A and Shaft listed under Motor No. 20051A.

Centri-Thrift Centrifugal Pump Parts List

Single & Three Phase – Rotary Seal

Serial Nos. 654, 756, 157 & 974 plus Year Made

Catalog Numbers 125M-1 $\frac{1}{2}$, 125M-2 & 125M-31 $\frac{1}{2}$ " Suction – 1 $\frac{1}{4}$ " Discharge

Pump Name Plate Catalog Number Horsepower		125M-1 $\frac{1}{2}$ 1 $\frac{1}{2}$	125M-2 2	125M-3 3	
Ref. No.	Description	No. Req'd.	Part No.	Part No.	Part No.
1	Motor. See Chart below with corresponding Pump Shaft Assembly and Bracket.	1			
2	Pump Shaft Assembly. See Chart below with corresponding Motor and Bracket.	1			
3	Bracket. See Chart below with corresponding Motor and Pump Shaft Assembly.	1			
	Set Screw for Shaft Assembly, Single Phase Motor	2	05013A015	05013A015	06024A001
	Set Screw for Shaft Assembly, Three Phase Motor	2	05013A015	05013A015	05013A015
4	Cap Screw, Bracket to Motor, 3/8"-16NC x 1-1/8"	4	19101A016	19101A016	19101A016
4	Cap Screw, Bracket to Motor, 1/2"-13NC x 1-1/4"	4			19103A004
4	Cap Screw, Bracket to Motor, 3/8"-16NC x 1"	4			19101A013
5	Cap Screw, Bracket to Case, 3/8"-16NC x 1-1/8"	8	19101A016	19101A016	19101A016
6	Lockwasher, 3/8"	12	05454A007	05454A007	05454A007
6	Lockwasher, 1/2"	4			05454A004
7	Shaft Seal	1	11716A001	11716A001	11716A001
8	Impeller	1	11725B001	11725B002	11725B003
8A	Key for Impeller	1	05818A025	05818A025	05818A025
9	Washer, Special	1	11718A000	11718A000	11718A000
10	Lockwasher, 5/16"	1	05454A014	05454A014	05454A014
11	Cap Screw, Stainless Steel	1	19100A004	19100A004	19100A004
12	Gasket, Case to Bracket	1	05863A013	05863A013	05863A013
13	Volute Case	1	11726D001	11726D001	11726D001
14	Pipe Plug, 1/8"	4	05022A004	05022A004	05022A004
	Pipe Plug, 1/4"	1	05022A009	05022A009	05022A009
15	Deflector, Rubber, for 5/8" Shaft	1	05059A318	05059A318	05059A318
15	Deflector, Rubber, for 7/8" Shaft	1	05059A320	05059A320	05059A320
15	Deflector, Rubber, for 1-1/8" Shaft	1			05059A321
16	Wearing Ring—For Units with Wearing Ring	1	11720A000	11720A000	11720A000

	Motor Horsepower	2	2	2	2	3	3	3	3	3
	Pump Serial Number	654	654	756	756	654	654	157	974	974
1	Motor Number	†	‡	13229A000	20051A000	18935A000	*	18937A000	21206A000	21207A000
	Voltage	115/230	220/440	115/230	220/440	115/230	220/440	220/440	115/230	230/460
	Phase	Single	Three	Single	Three	Single	Three	Three	Single	Three
	Motor Bolt Circle	5-7/8"	5-7/8"	5-7/8"	5-7/8"	7-1/4"	7-1/4"	5-7/8"	5-7/8"	5-7/8"
	Motor Shaft Diameter	7/8"	7/8"	5/8"	5/8"	1-1/8"	7/8"	7/8"	5/8"	5/8"
2	Shaft, Assembly	11723B001	11723B001	11714B001	11741B001	11914B001	11916B001	11916B001	11714B001	11714B001
3	Bracket, Seal	11715D000	11715D000	11715D000	11715D000	11912D000	11912D000	13421D000	11715D000	11715D000

* Motor No. 11713A000 NOT AVAILABLE. Order Motor No. 18937A000 with Bracket listed under Motor No. 18937A000. Four Cap Screws Part 05824A012. Four Lockwashers Part 05454A007 and Deflector Part 05059A320.

† Order Motor No. 13229A000 and Shaft listed under Motor No. 13229A000.

‡ Order Motor No. 20051A000 and Shaft listed under Motor No. 20051A000.

Centri-Thrift Centrifugal Pump Parts List

Single & Three Phase – Rotary Seal or Stuffing Box
Serial Nos. 1056, 157 & 947 plus Year Made

Catalog Numbers 150M-2, 150M-3 and 150M-5

2" Suction — 1½" Discharge

Pump Name Plate Catalog Number Horsepower			150M-2 2	150M-3 3	150M-5 5
Ref. No.	Name of Part	No. Req.	Part No.	Part No.	Part No.
1	Motor. See Chart below with corresponding Pump Shaft Assembly and Bracket.	1			
12	Pump Shaft Assembly. See Chart below with corresponding Motor and Bracket.	1			
13	Bracket. See Chart below with corresponding Motor and Pump Shaft Assembly.	1			
	Set Screw for Shaft Assembly, Single Phase Motor	2	5013A15	6024A1	6024A1
	Set Screw for Shaft Assembly, Three Phase Motor	2	5013A15	5013A15	6024A1
14	Cap Screw, Bracket to Motor, ⅜" – 16 NC x 1 1/8"	4	19101A16	19101A16	
14	Cap Screw, Bracket to Motor, ½" – 13 NC x 1 1/4"	4			19103A4
14	Cap Screw, Bracket to Motor, ⅜" – 16 NC x 1"	4		19101A13	
15	Cap Screw, Bracket to Case, ⅜" – 16 NC x 1 1/8"	8	19101A16	19101A16	19101A16
16	Lockwasher, ⅜"	12	5454A7	5454A7	
16	Lockwasher, ⅜"	8			5454A7
16	Lockwasher, ½"	4		5454A4	5454A4
17	Shaft Seal	1	11716A1	11716A1	11716A1
18	Packing for Stuffing Box	1	7924A21	7924A21	7924A21
19	Gland for Stuffing Box	1	8811B1	8811B1	8811B1
20	Clip for Gland	2	8825A	8825A	8825A
21	Stud for Stuffing Box	2	5659A6	5659A6	5659A6
22	Nut for Studs	2	19109A21	19109A21	19109A21
23	Impeller	1	12935B2	12935B1	12935B3
24	Key for Impeller	1	5818A25	5818A25	5818A25
25	Washer, Special	1	12933A	12933A	12933A
26	Lockwasher, 5/16"	1	5454A14	5454A14	5454A14
27	Cap Screw, Stainless Steel	1	6106A8	6106A8	6106A8
28	Gasket, Case to Bracket	1	5863A13	5863A13	5863A13
29	Volute Case	1	12937D1	12937D1	12937D1
	Wearing Ring — For Units w/Wearing Ring	1	12934A	12934A	12934A
31	Pipe Plug, ⅛"	4	5022A4	5022A4	5022A4
	Pipe Plug, ¼"	1	5022A9	5022A9	5022A9
32	Deflector, Rubber, for ⅝" Shaft	1	5059A318		
32	Deflector, Rubber for 7/8" Shaft	1		5059A320	
32	Deflector, Rubber, for 1 1/8" Shaft	1		5059A321	5059A321

Motor Horsepower	2	2	3	3	3	3	3	3	5	5
Pump Serial Number	1056	1056	1056	1056	157	974	974	974	1056	1056
1 Motor Number	13229A	20051A	18935A	*	18937A	21206A	21207A	18939A	18941A	
Voltage	115/230	220/440	115/230	220/440	220/440	115/230	230/460	115/230	220/440	
Phase	Single	Three	Single	Three	Three	Single	Three	Single	Three	
Motor Bolt Circle	5 7/8"	5 7/8"	7 1/4"	7 1/4"	5 7/8"	5 7/8"	5 7/8"	7 1/4"	7 1/4"	
Motor Shaft Diameter	5/8"	5/8"	1 1/8"	7/8"	7/8"	5/8"	5/8"	1 1/8"	1 1/8"	
12 Shaft, Rotary Seal	11714B1	11714B1	11914B1	11916B1	11916B1	11714B1	11714B1	11914B1	11914B1	
12 Shaft, Stuffing Box	11721B1	11721B1	11915B1	11917B1	11917B1			11915B1	11915B1	
13 Bracket, Rotary Seal	11715D	11715D	11912D	11912D	13421D	11715D	11715D	11912D	11912D	

*Motor No. 11713A NOT AVAILABLE. Order Motor No. 18937A with Bracket listed under Motor No. 18937A, Four Cap Screws Part 5824A12, Four Lockwashers Part 5454A7 and Deflector Part 5059A320.

Centri-Thrift Centrifugal Pump Parts List

Single & Three Phase – Rotary Seal

Serial Nos. 1056, 157 & 974 plus Year Made

Catalog Numbers 200M-3, 200M-5 & 200M-7 1/2

2 1/2" Suction – 2" Discharge

Pump Name Plate Catalog Number Horsepower			200M-3 3	200M-5 5	200M-7 1/2 7 1/2
Ref. No.	Description	No. Req'd.	Part No.	Part No.	Part No.
1	Motor. See Chart below with corresponding Pump Shaft Assembly and Bracket.	1			
2	Pump Shaft Assembly. See Chart below with corresponding Motor and Bracket.	1			
3	Bracket. See Chart below with corresponding Motor and Pump Shaft Assembly.	1			
	Set Screw for Shaft Assembly, Single Phase Motor	2	06024A001	06024A001	06024A001
	Set Screw for Shaft Assembly, Three Phase Motor	2	05013A015	06024A001	06024A001
4	Cap Screw, Bracket to Motor, 3/8"-16NC x 1-1/8"	4	19101A016		
4	Cap Screw, Bracket to Motor, 1/2"-13NC x 1-1/4"	4	19103A004	19103A004	19103A004
4	Cap Screw, Bracket to Motor, 3/8"-16NC x 1"	4	19101A003		
5	Cap Screw, Bracket to Case, 3/8"-16NC x 1-1/8"	8	19101A016	19101A016	19101A016
6	Lockwasher, 3/8"	12	05454A007		
6	Lockwasher, 3/8"	8		05454A007	05454A007
6	Lockwasher, 1/2"	4	05454A004	05454A004	05454A004
7	Shaft Seal	1	11716A001	11716A001	11716A001
8	Impeller	1	12936B002	12936B001	12936B003
8A	Key for Impeller	1	05818A025	05818A025	05818A025
9	Washer, Special	1	12933A000	12933A000	12933A000
10	Lockwasher, 5/16"	1	05454A014	05454A014	05454A014
11	Tap Bolt, Stainless Steel	1	06106A008	06106A008	06106A008
12	Gasket, Case to Bracket	1	05863A013	05863A013	05863A013
13	Volute Case	1	12938D001	12938D001	12938D001
14	Pipe Plug, 1/8"	4	05022A004	05022A004	05022A004
	Pipe Plug, 1/4"	1	05022A009	05022A009	05022A009
15	Deflector, Rubber, for 5/8" Shaft	1	05059A318		
15	Deflector, Rubber, for 7/8" Shaft	1	05059A320		
15	Deflector, Rubber, for 1-1/8" Shaft	1	05059A321	05059A321	05059A321
16	Wearing Ring—For Units with Wearing Ring	1	12934A000	12934A000	12934A000

	Motor Horsepower	3	3	3	3	3	5	5	7-1/2
	Pump Serial Number	974	974	1056	1056	157	1056	1056	1056
1	Motor Number	21206A000	21207A000	18935A000	*	18937A000	18939A000	18941A000	18944A000
	Voltage	115/230	230/460	115/230	220/440	220/440	115/230	220/440	220/440
	Phase	Single	Three	Single	Three	Three	Single	Three	Three
	Motor Bolt Circle	5-7/8"	5-7/8"	7-1/4"	7-1/4"	5-7/8"	7-1/4"	7-1/4"	7-1/4"
	Motor Shaft Diameter	5/8"	5/8"	1-1/8"	7/8"	7/8"	1-1/8"	1-1/8"	1-1/8"
12	Shaft, Assembly	11714B001	11714B001	11914B001	11916B001	11916B001	11914B001	11914B001	11914B001
13	Bracket, Seal	11715D000	11715D000	11912D000	11912D000	13421D000	11912D000	11912D000	11912D000

* Motor No. 11713A000 NOT AVAILABLE. Order Motor No. 18937A000 with Bracket listed under Motor No. 18937A000. Four Cap Screws Part 05824A012, Four Lockwashers Part 05454A007 and Deflector Part 05059A320.

Myers®

F. E. Myers, 1101 Myers Parkway, Ashland Ohio 44805-1923
419/289-1144, FAX: 419/289-6658

Myers (Canada), 269 Trillium Drive, Kitchener, Ontario N2G 4W5
519/749-5470. FAX: 519/748-2553

www.femyers.com