

MYERS® HJ Series Convertible Jet Pumps

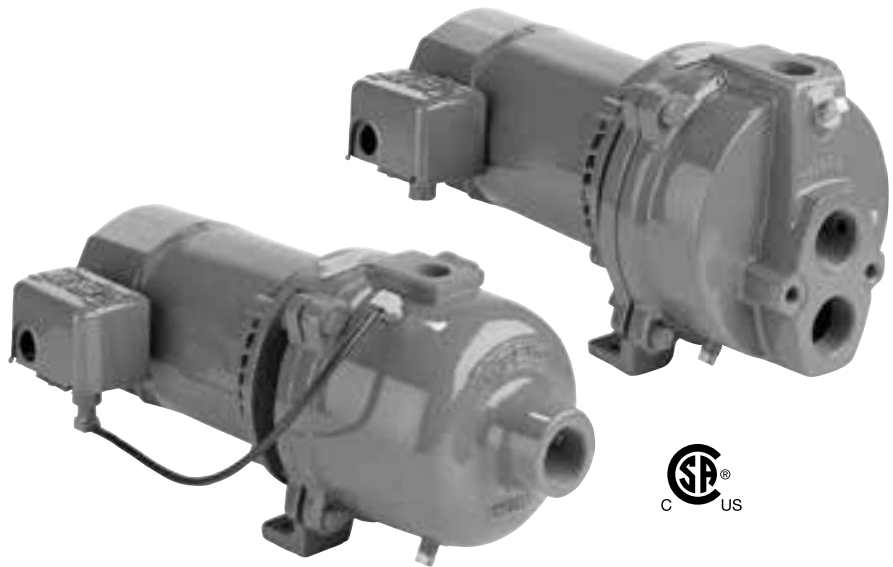
Myers® HJ Series is one of the most popular pump series in the market today. The HJ Series is known for its superior performance and dependability in home, farm, business and industrial applications around the world.

APPLICATIONS

- Supply water systems and sprinkling systems for homes, farms, businesses and industry

SPECIFICATIONS

- Heavy duty cast iron case and motor bracket
- Dual compartment, 115/230 volt double-ball bearing motor with voltage selector switch
- Dual adjustment pressure switch. Includes priming tee on shallow well models and pressure regulator on deep well models
- Priming screen
- Stainless steel impeller wear ring



FEATURES

Quality Construction – Durable machined heavy-duty construction pump body provides long product life

Impellers – Precision molded impellers and diffuser provide smooth, balanced performance and efficiency

Pressure Switch – High quality proven pressure switch with adjustable on/off pressure settings. 20 PSI differential

Motor – Heavy-duty motor with double ball bearing design and voltage selection device

Shaft Seal – Mechanical shaft seal with ceramic face and stainless steel construction for long seal life

MYERS® HJ Series Convertible Jet Pumps

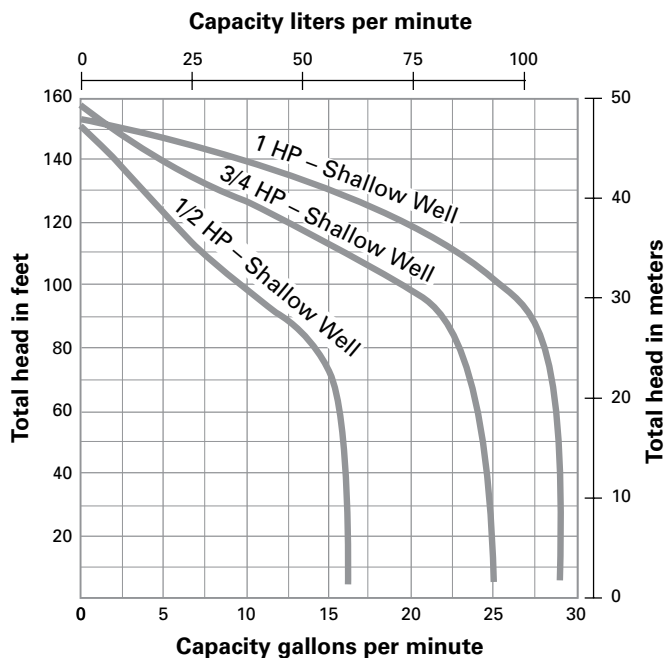
ORDERING INFORMATION – SHALLOW WELL						
Catalog Number	HP	Discharge Pressure in Lbs.	Capacity in U.S. Gallons per Minute Suction Lift in Feet			Shut-Off PSI
			5	15	20	
HJ50S*	1/2	20	14.5	11.5	6	65
		30	14.5	11.5	6	
		40	10	8	5	
		50	5.5	3.5	2	
HJ75S*	3/4	20	23.5	17.5	10.5	69
		30	23.5	17.5	10.5	
		40	19.5	16.5	10.5	
		50	12.5	9	5	
HJ100S*	1	20	27.5	21	13	67
		30	27.5	21	13	
		40	25.5	21	13	
		50	19	15.5	12	

*For brass impeller add "-1" to Catalog Number, i.e.: HJ50D-1

ORDERING INFORMATION – DEEP WELL																
Catalog Number	HP	Pressure Switch Setting	Average Regulator Setting	Jet Package Cat. Number			Capacity in U.S. Gallons per Minute Distance to Low Water Level in Feet									
				Cast Iron	Bronze	Packer for 2" Well	30	40	50	60	70	80	90	100	110	120
HJ50D*	1/2	20/40	22	DW50-I	DW50	P50	10.5	9.5	8	6	5	4	2.5			
		30/50	22	DW50-I	DW50	P50	9	8	7	5.5	4.5	3.5				
HJ75D*	3/4	20/40	26	DW75-I	DW75	P75	16.5	13.5	10	8	7	6	4	3	1	
		30/50	26	DW75-I	DW75	P75	15.5	12	10.5	7.5	6	5	3	2		
HJ100D*	1	20/40	34	DW100-I	DW100	P100	18	15.5	12.5	10	9	8	5.5	4.5	2.5	1
		30/50	34	DW100-I	DW100	P100	18	15	12	10	9	7.5	5	4	2	1

*For brass impeller add "-1" to Catalog Number, i.e.: HJ50D-1

PUMP PERFORMANCE

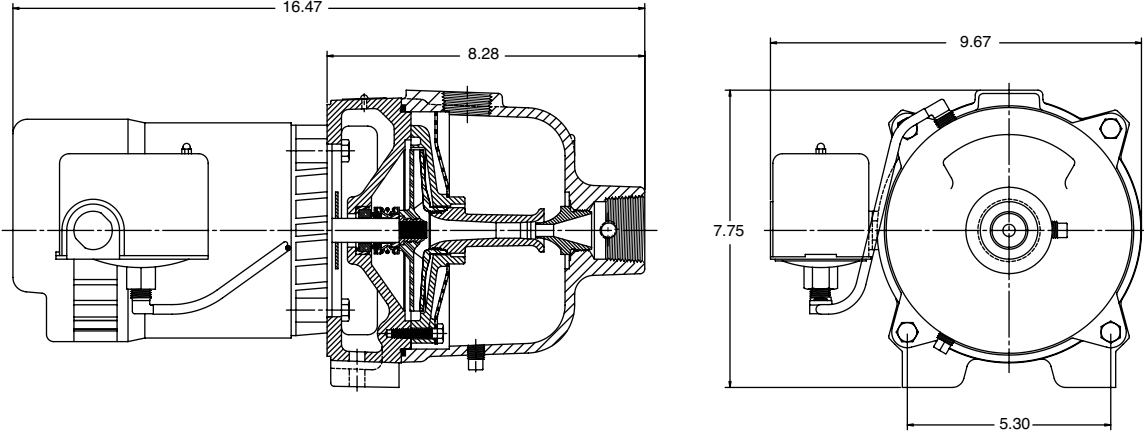


Repair Parts Kits		
Model	Kit	Includes
HJ50D	PK50	Shaft seal, impeller, diffuser, gasket, O-ring, venturi, and nozzle
HJ75D	PK75	
HJ100D	PK100	

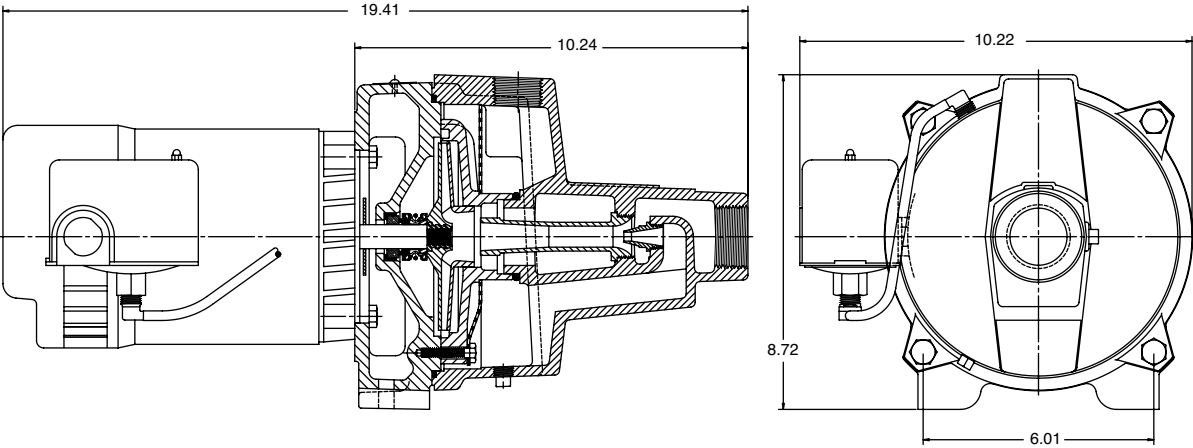
MYERS® HJ Series Convertible Jet Pumps

OUTLINE DIMENSIONS

HJ50 Shallow Well



HJ75 and HJ100 Shallow Well

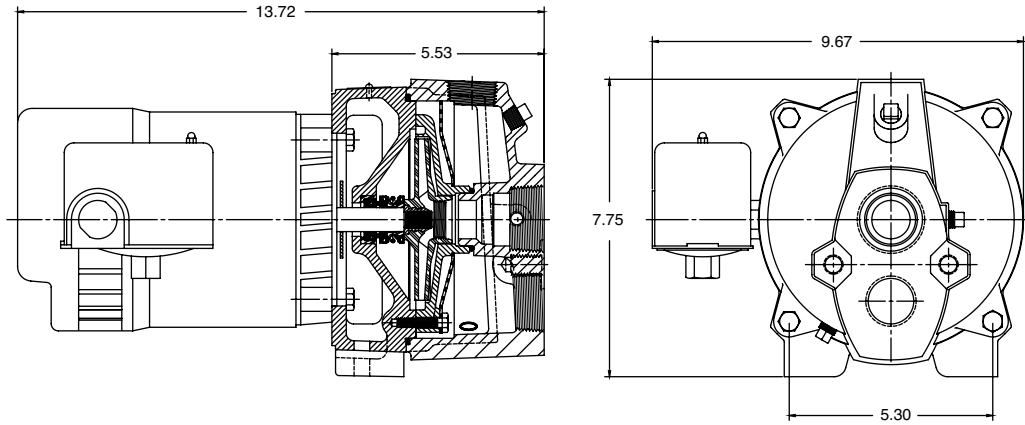


Dimensions (in inches) are for estimating purposes only.

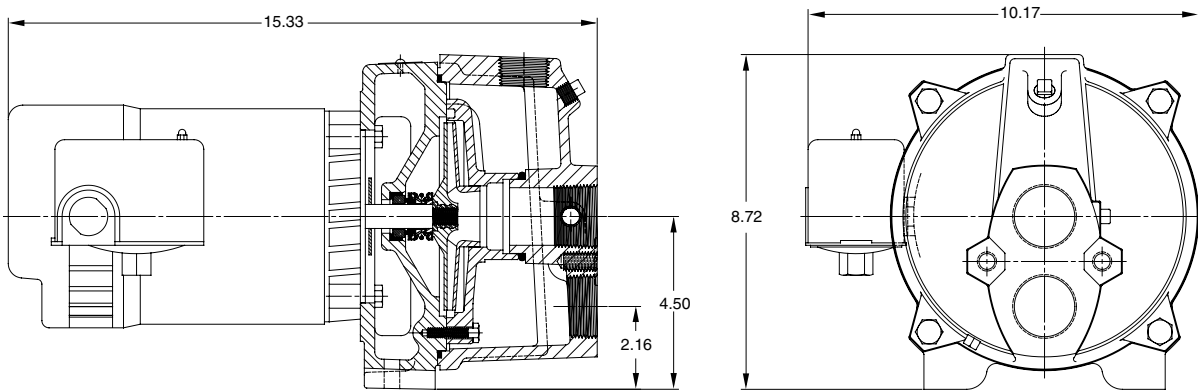
MYERS® HJ Series Convertible Jet Pumps

OUTLINE DIMENSIONS

HJ50 Deep Well



HJ75 and HJ100 Deep Well



Dimensions (in inches) are for estimating purposes only.

